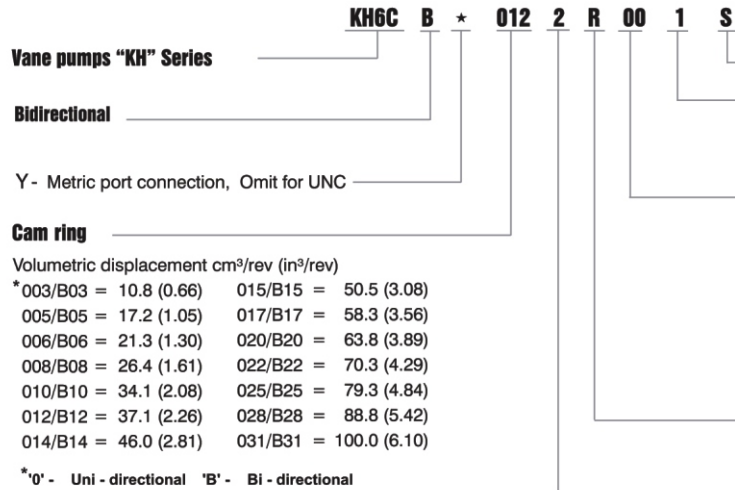


# KH6C VANE PUMP

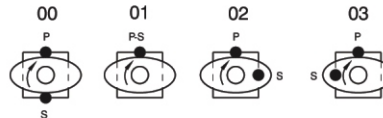


## Modifications

**Seal Class**  
 1-S1 (For mineral oil)  
 4-S4 (For fire resistant fluids)  
 5-S5 (For mineral oil & Fire resistant fluids)

## Porting combination

00 - standard



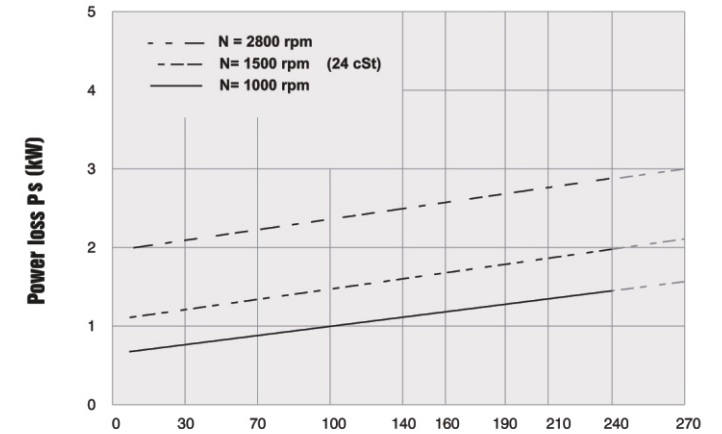
S Suction port P - Pressure port

**Direction of rotation**  
 (View on shaft end) } R - clockwise  
 L - counter-clockwise

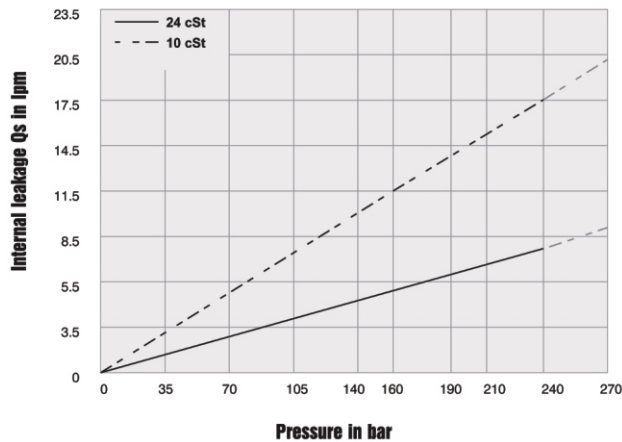
## Type of shaft

- 1 - keyed (SAE B)
- 2 - keyed (no SAE)
- 3 - splined (SAE B)
- 4 - splined (SAE BB)

## HYDROMECHANICAL POWER LOSS (TYPICAL)

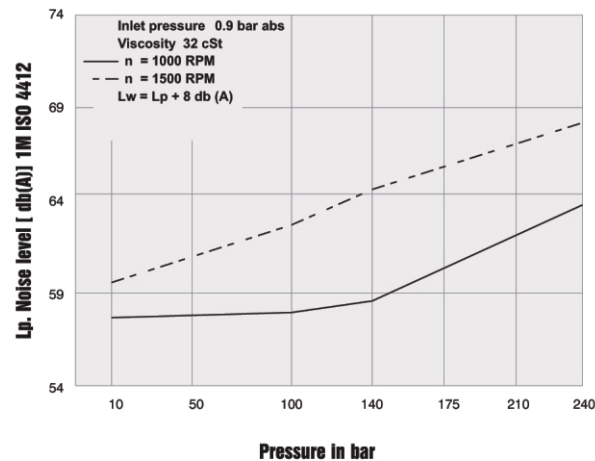


## INTERNAL LEAKAGE (TYPICAL)

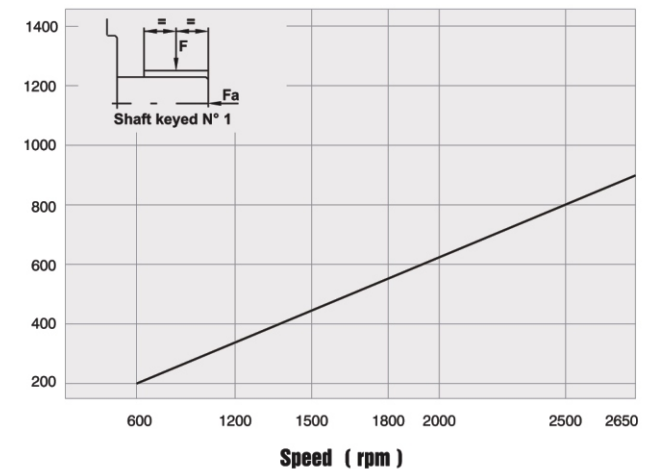


## NOISE LEVEL (TYPICAL)

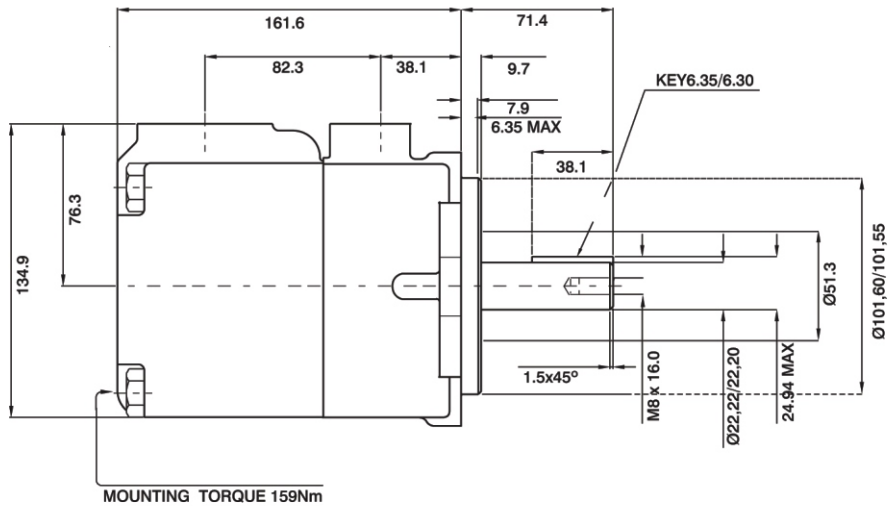
KN6C-012



## PERMISSIBLE RADIAL LOAD



# KH6C VANE PUMP



**Shaft code 1**

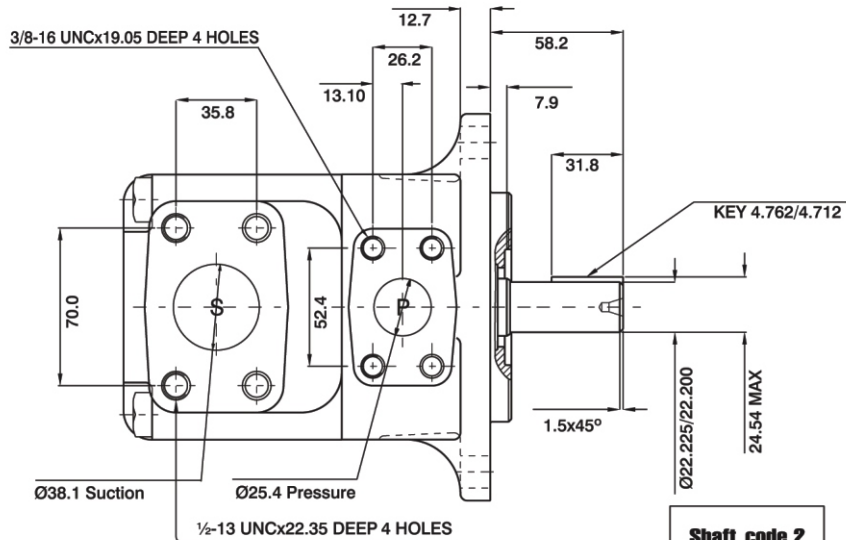
## OPERATING CHARACTERISTICS-TYPICAL ( 24 CST)

Pump Model	Cartridge Model	Theoretical Displacement cm <sup>3</sup> /rev	Flow at 1440rpm		Flow at 1500rpm	
			P=0 bar (0 psi) lpm	P=140 bar (2000 psi) lpm	P=240 bar (3500 psi) lpm	
KH6C	003	10.8	15.5	11.0	8.0	
	005	17.2	24.7	21.0	17.0	
	006	21.3	30.6	27.0	23.0	
	008	26.4	38.0	35.0	31.0	
	010	34.1	49.1	46.0	43.0	
	012	37.1	53.4	51.0	47.0	
	014	46.0	66.2	64.0	61.0	
	015	50.5	72.7	73.0	68.0	
	017	58.3	83.9	82.0	79.0	
	020	63.8	91.8	91.0	87.0	
	022	70.3	101.2	100.0	97.0	
	025 <sup>A)</sup>	79.3	114.1	114.0	110.0	
	028 <sup>A)</sup>	88.8	127.8	128.0	126.0 <sup>B)</sup>	
031 <sup>A)</sup>	100.0	144.0	145.0	143.0 <sup>B)</sup>		

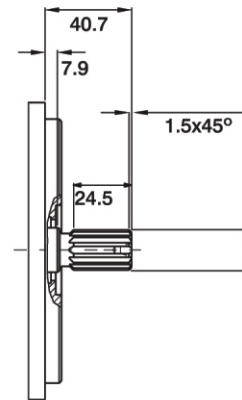
A) 025-028-031 = 2500 RPM.max.

B) 028-031 = 210 bar (3000 psi) max.int.

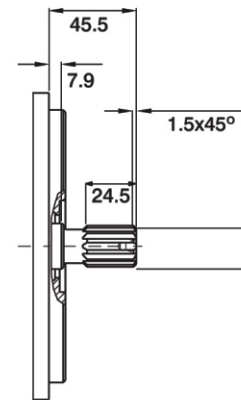
All dimensions are in m.m.



**Shaft code 2**



**Shaft code 3**  
SAE B splined shaft  
1-J498b. 16/32 d.p.-13 teeth  
30° pressure angle



**Shaft code 4**  
SAE B splined shaft  
1-J498b. 16/32 d.p.-15 teeth  
30° pressure angle

