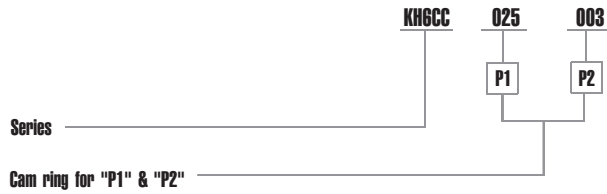


KH6CC DOUBLE VANE PUMP



Series

Cam ring for "P1" & "P2"

Volumetric displacement $\text{cm}^3/\text{rev} (\text{in}^3/\text{rev})$

*003/B03 = 10.8(0.66)	015/B15 = 50.5(3.08)
005/B05 = 17.2(1.05)	017/B17 = 58.3(3.56)
006/B06 = 21.3(1.30)	020/B20 = 63.8(3.89)
008/B08 = 26.4(1.61)	022/B22 = 70.3(4.29)
010/B10 = 34.1(2.08)	025/B25 = 79.3(4.84)
012/B12 = 37.1(2.26)	028/B28 = 88.8(5.42)
014/B14 = 46.0(2.81)	028/B28 = 100.0(6.10)

*'U'- Uni-directional 'B'- Bi-directional

Modifications

Seal class

- 1 - S1 (for mineral oil)
- 4 - S4 (for fire resistant fluids)
- 5 - S5 (for mineral oil and fire resistant fluids)

Porting combination

00 - standard (see page No.3)

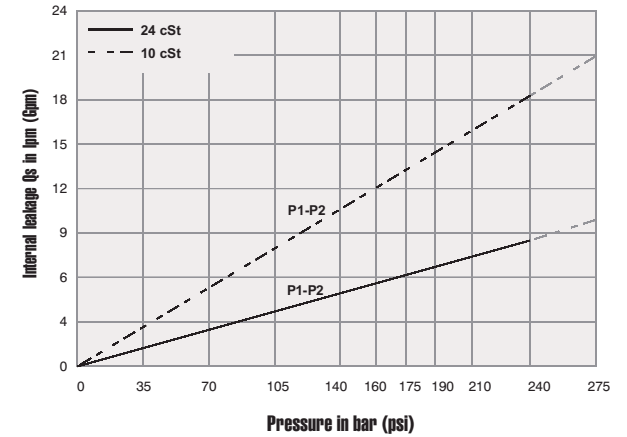
Direction of rotation

(View on shaft end) } R- clockwise
L- counter-clockwise

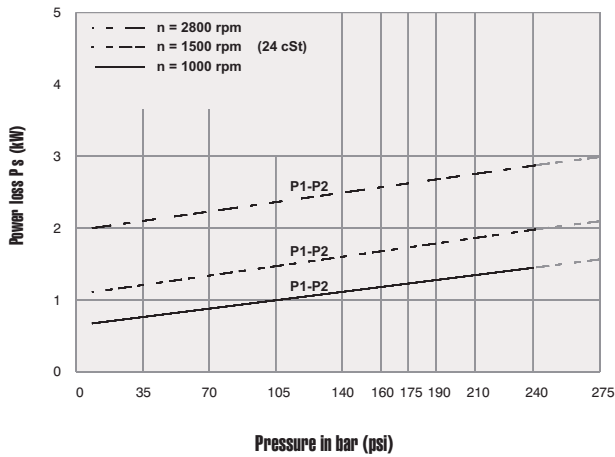
Type of shaft

- 1 - keyed (no SAE)
- 3 - splined (SAE BB)
- 5 - splined (SAE B)

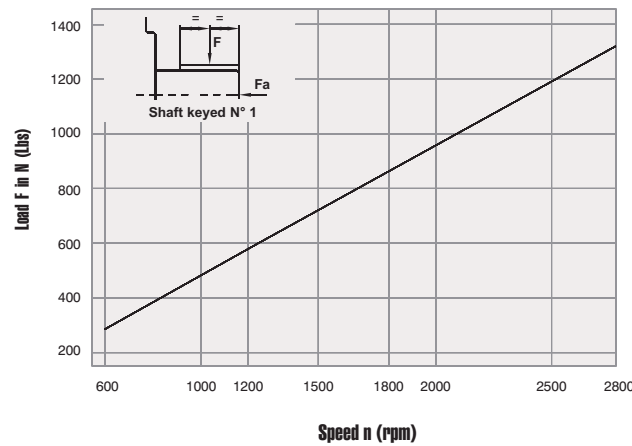
INTERNAL LEAKAGE (TYPICAL)



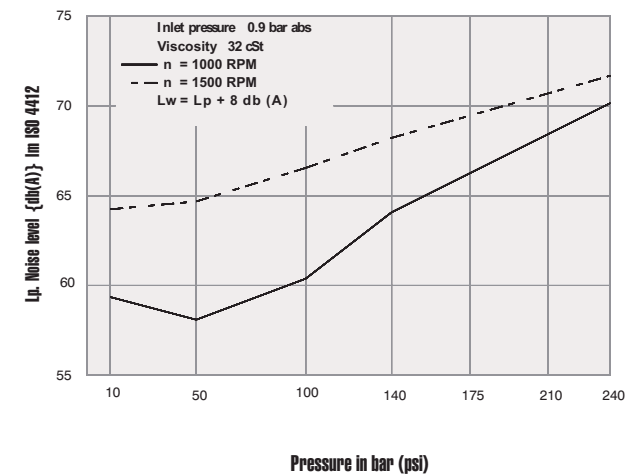
HYDRO MECHANICAL POWER LOSS (TYPICAL)



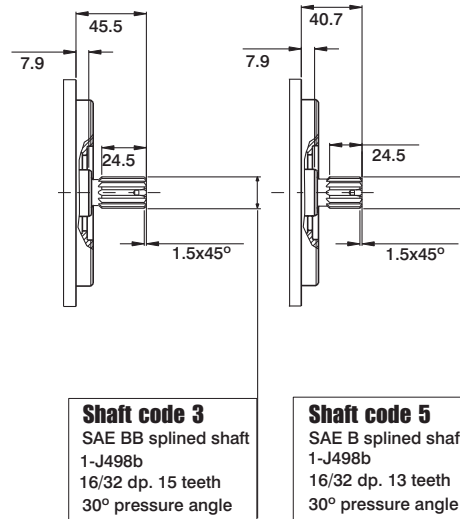
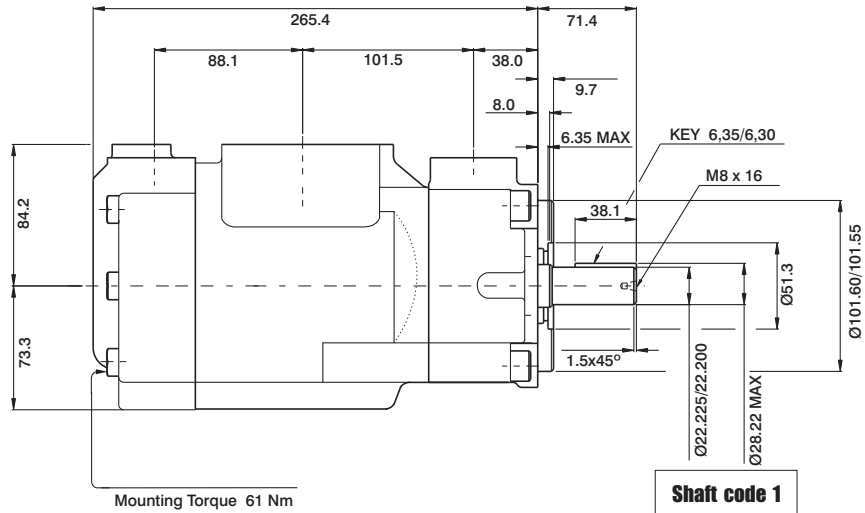
PERMISSIBLE RADIAL LOAD



NOISE LEVEL (TYPICAL)

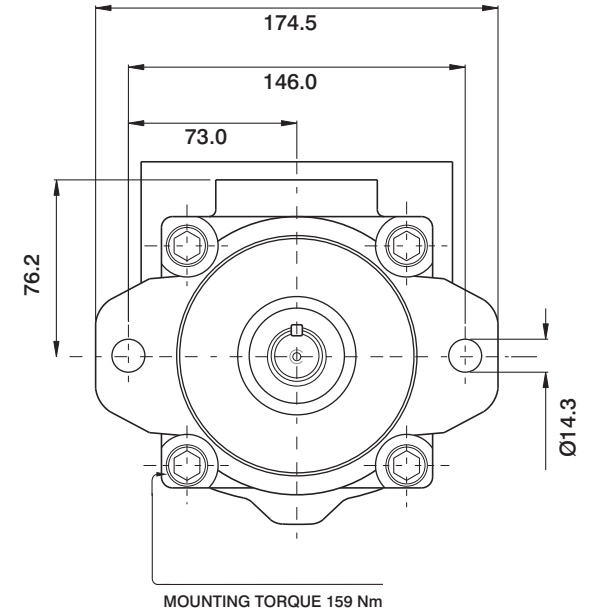


KH6CC DOUBLE VANE PUMP

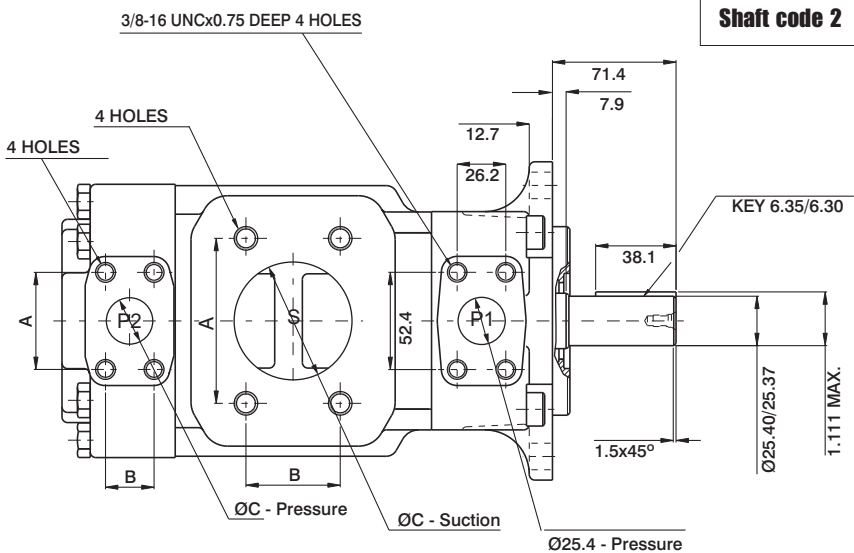


Shaft code 3
SAE BB splined shaft
1-J498b
16/32 dp. 15 teeth
30° pressure angle

Shaft code 5
SAE B splined shaft
1-J498b
16/32 dp. 13 teeth
30° pressure angle



PORT	A	B	C	D	E
S	106.4	61.9	76.2		5/8-11UNCx1.12 DEEP (M16x28.4 DEEP)
S	88.9	50.8	63.5		1/2-13UNCx0.94 DEEP (M12x24.0 DEEP)
P2	47.6	22.2	19.0	76.2	3/8-16UNCx0.75 DEEP (M10x19.0 DEEP)
P2	52.4	26.2	25.4	74.7	



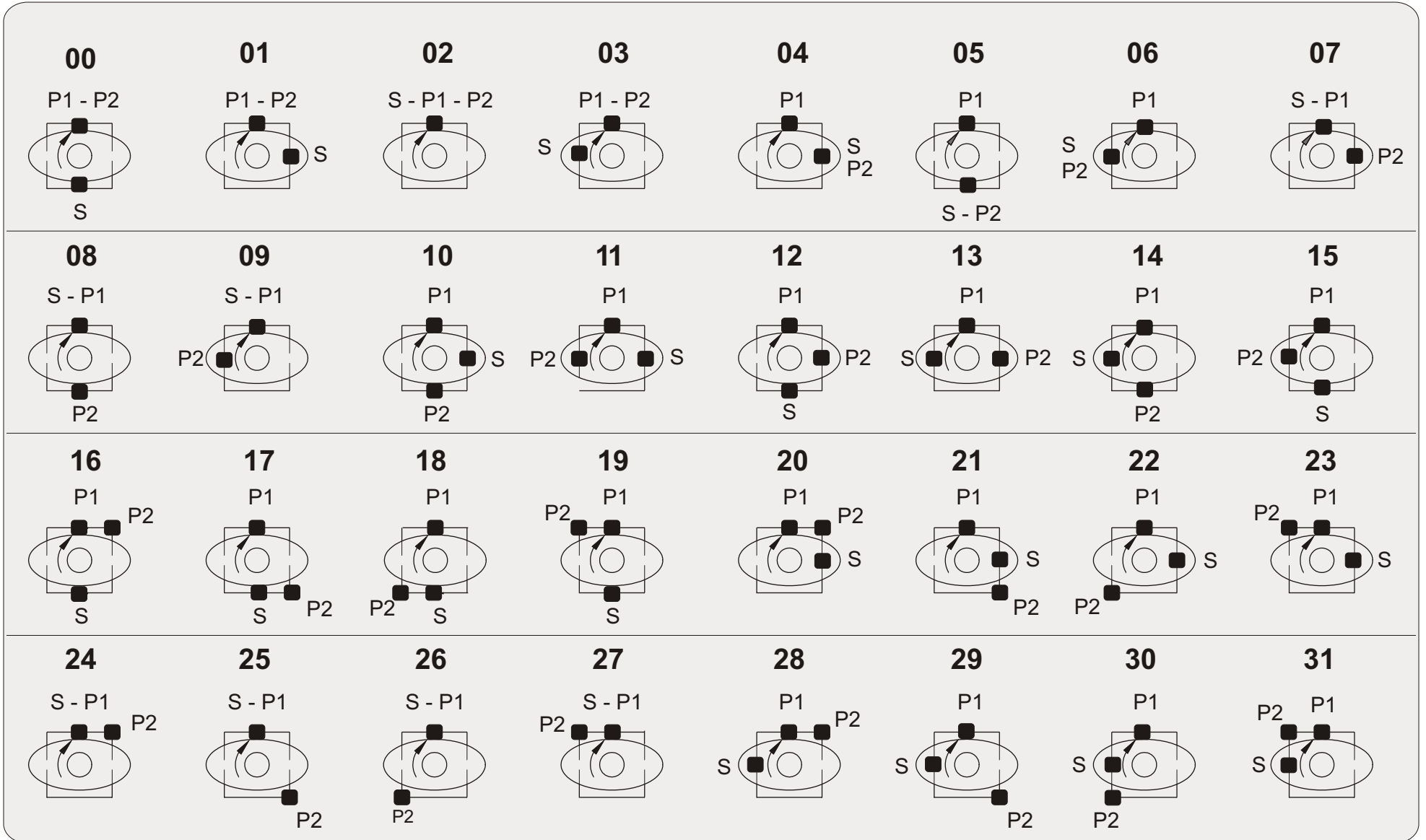
OPERATING CHARACTERISTICS-TYPICAL (24 CST)

Pressure port	Series	Theoretical Displacement Cm ³ /rev	Flow at 1440 rpm		Flow at 1500 rpm	
			P = 0 bar (0 psi)		P = 140 bar(2000 psi)	
			Lpm	Lpm	Lpm	Lpm
P1 & P2	003	10.8	15.5	11.0	8.0	
	005	17.2	24.7	21.0	17.0	
	006	21.3	30.6	27.0	23.0	
	008	26.4	38.0	35.0	31.0	
	010	34.1	49.1	46.0	43.0	
	012	37.1	53.4	51.0	47.0	
	014	46.0	66.2	64.0	61.0	
	015	50.5	72.7	73.0	68.0	
	017	58.3	83.9	82.0	79.0	
	020	63.8	91.8	91.0	87.0	
	022	70.3	101.2	100.0	97.0	
	025 ^{A)}	79.3	114.1	114.0	110.0	
	028 ^{A)}	88.8	127.8	128.0	126.0	
031 ^{A)}	100.0	144.0	145.0	143.0		

1) 025-028-031 = 2500 RPM. max.

2) 028-031 = 210 bar (3000 psi) max. int.

⏪ KH6CC DOUBLE VANE PUMP PORTING COMBINATION (00 = STANDARD)



P - Pressure

S - Suction